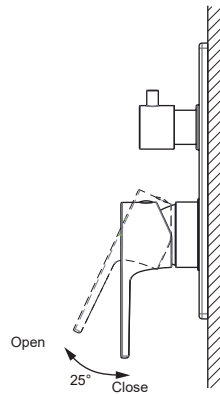
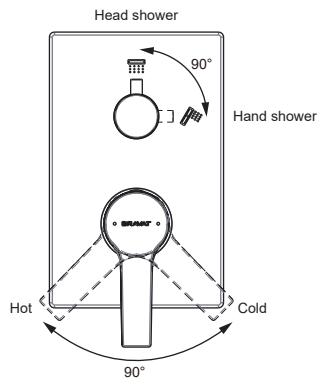
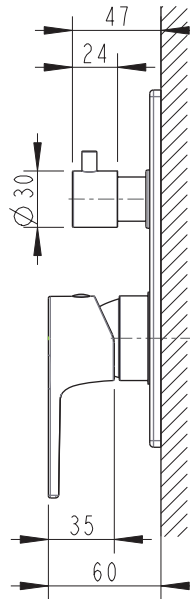
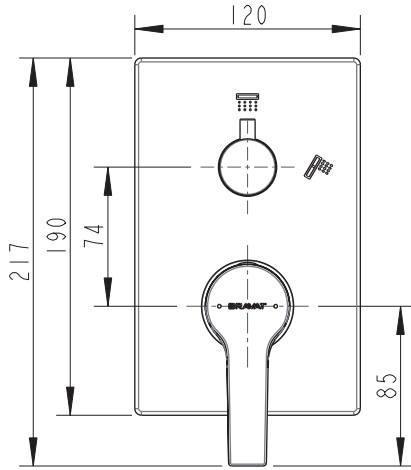


(Rough-in Dimensions):
(Unit): mm



| | |
|-------------------|---|
| Item No. | P69219CP-2 |
| Available Color | Chrome |
| Materials | Brass |
| Cartridge | — |
| Aerator | — |
| Standard pressure | min. 0.05 MPa—recommended 0.1 – 0.5 MPa |
| Remarks | Match with Built-in body set D982CP-A-ENG |

