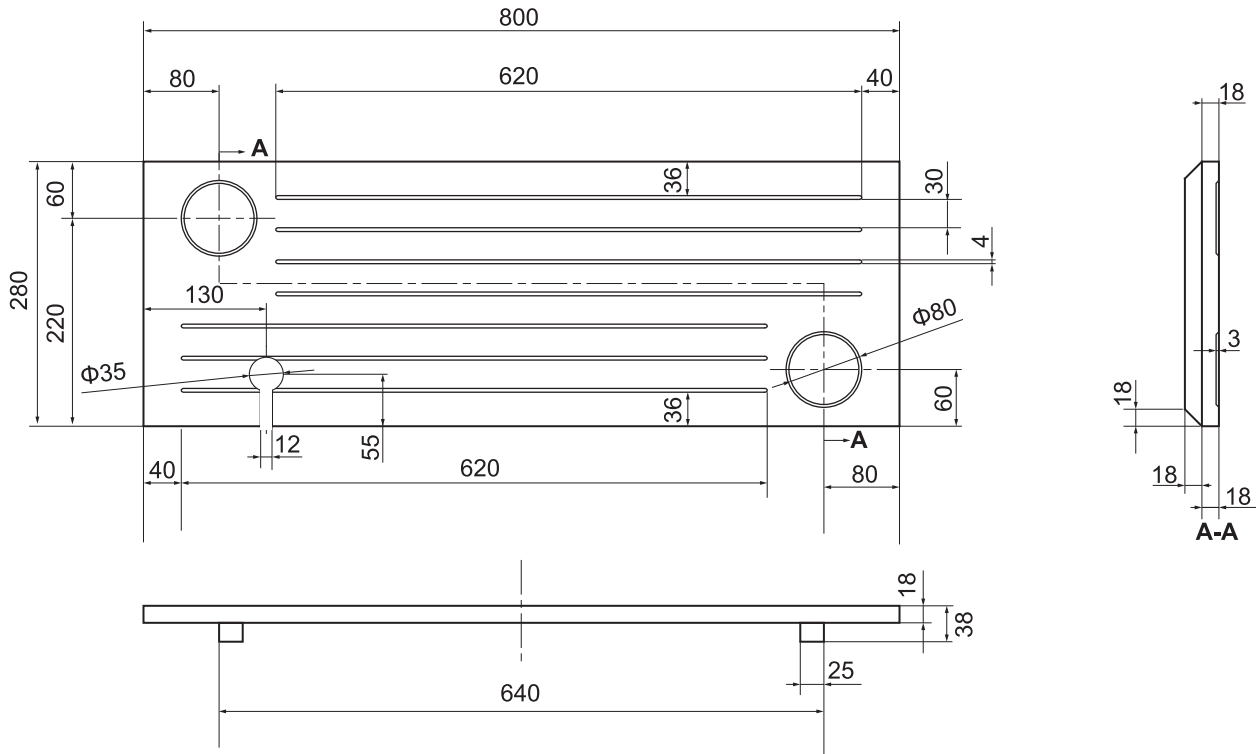


(Rough-in Dimensions):

(Unit): mm



NP10405U



Item No.	NP10405U
Available Color	赤褐色
Materials	夕毛
Remarks:	

