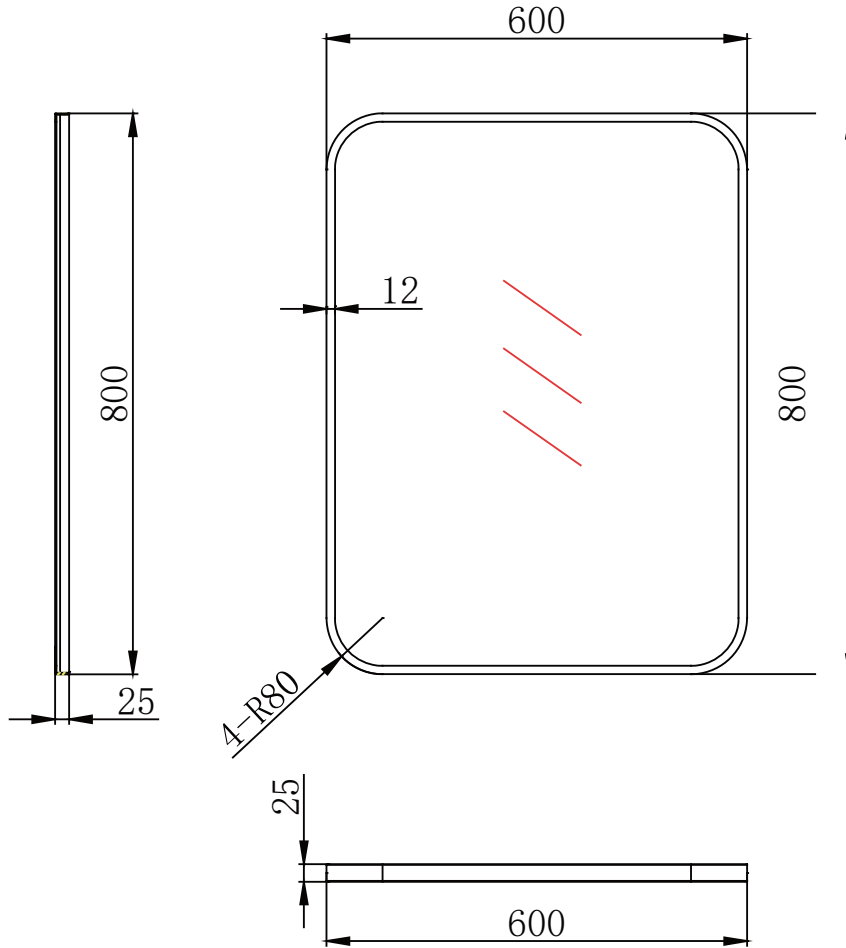


(Rough-in Dimensions):
(Unit): mm



Size : 600×800×25mm

Item No.	NM16017K
Available Color	Black
Materials	5mmThe mirror, SUS304
Shipping Package	CTN/Set : 1 CTN M ³ /CTN: 0.036M ³ G.W/CTN: 8.5kg
Hardware Accessories	There is no
Certification is introduced	There is no
Function is introduced	There is no
Remarks	Enclosed screw package installation