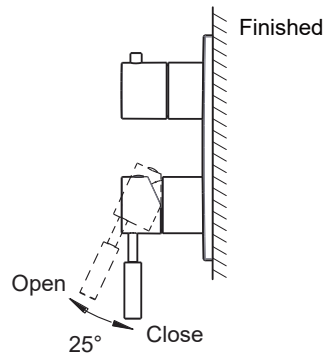
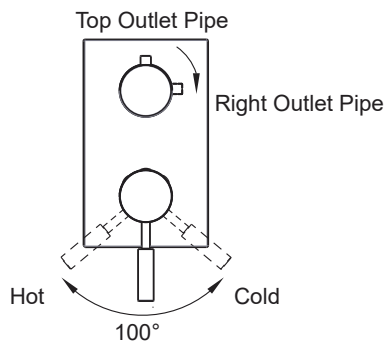
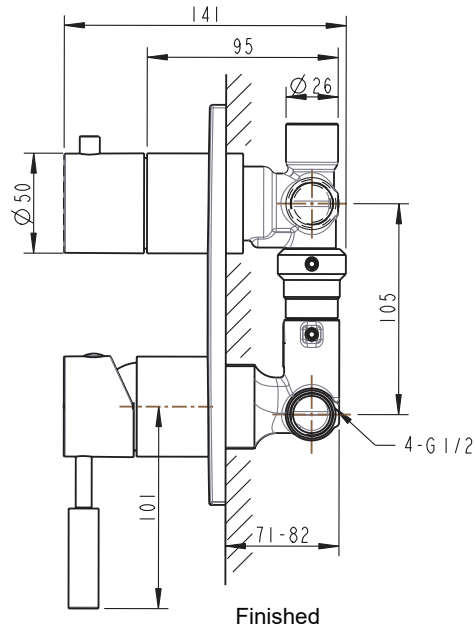
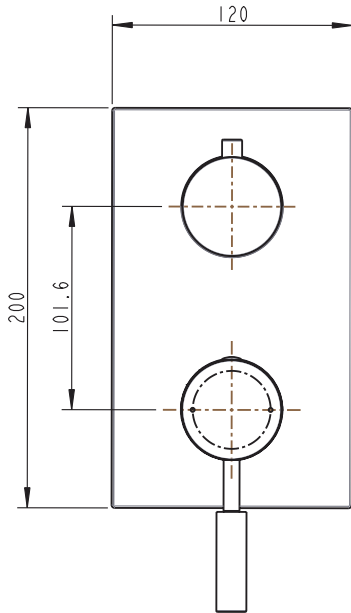


(Rough-in Dimensions):
(Unit): mm



Item No.	FB85151C-2A (2-Way Wall-Mount Transfer Valve with Trim)
Color	Chrome
Materials	Brass
Standard pressure	min. 0.05 MPa—recommended 0.1 – 0.5 MPa
Remark	

