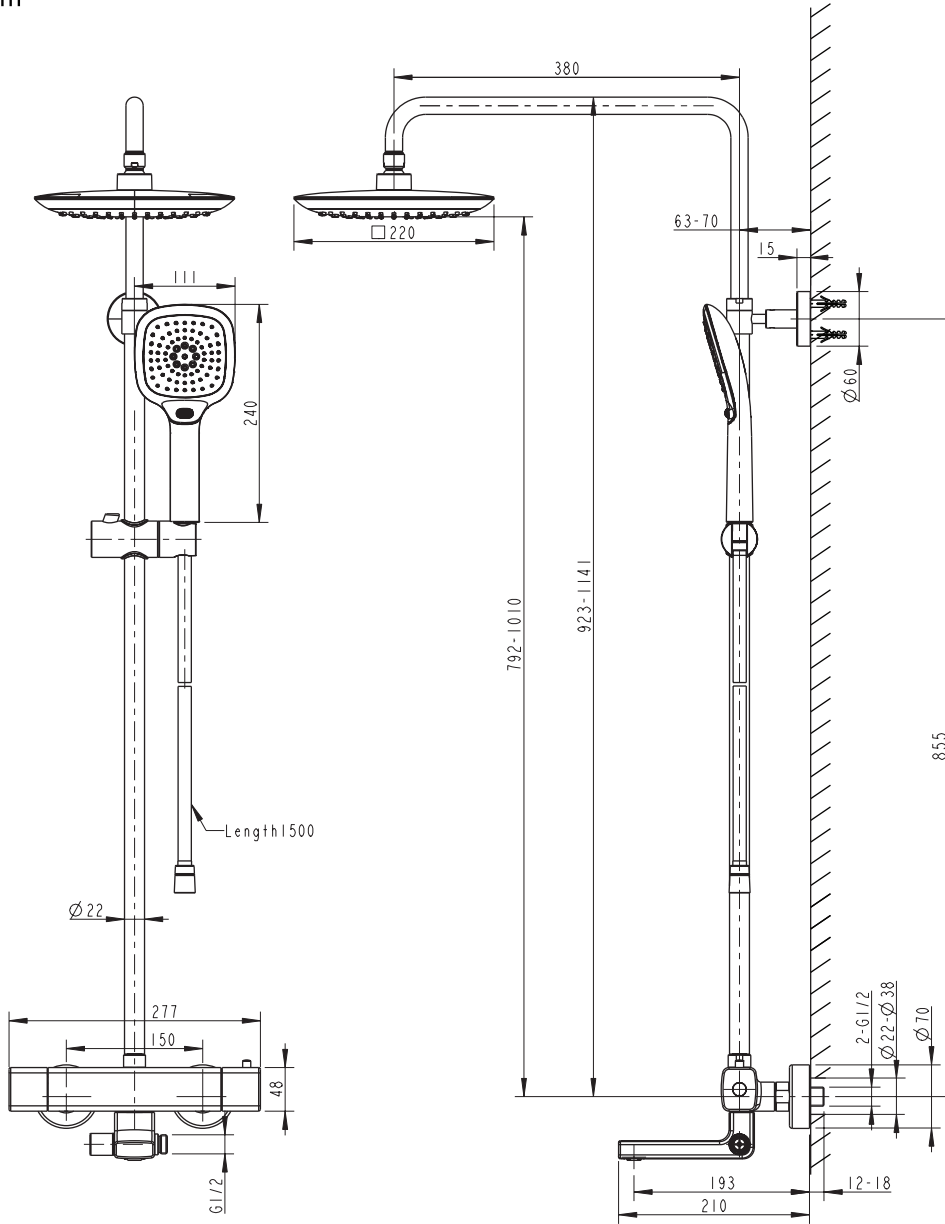


(Rough-in Dimensions):
(Unit): mm



Item No.	F699153CP-A1
Available Color	Chrome
Materials	Brass
Cartridge	Flush Thermostatic Cartridge
Recommended pressure	min. 0.05 MPa—recommended 0.1 – 0.5 MPa
Flow rate	Spout: 20L/min@0.3MPa , Head & Hand Shower : 12L/min@0.3MPa
Remarks	-

