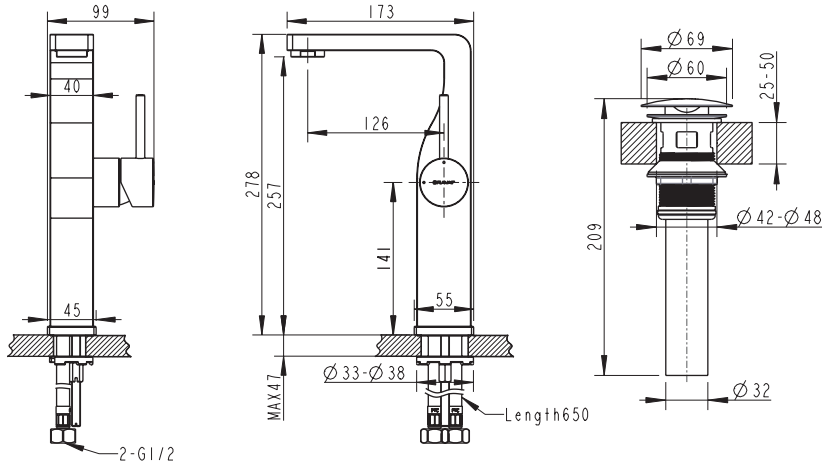


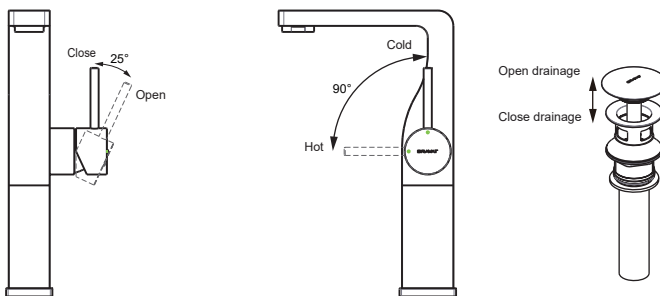
(Rough-in Dimensions):  
(Unit): mm



F16061K-A2



F16061C-A2



|                      |  |
|----------------------|--|
| Item No.             | F16061K-A2 / F16061C-A2  |
| Available Color      | Black / Chrome   |
| Materials            | Brass  |
| Cartridge            | Kerox 35mm 2 stage Ceramic Cartridge                                       |
| Aerator              | Neoperl Aerator (coin slot)  |
| Recommended pressure | min. 0.05 MPa—recommended 0.1 – 0.5 MPa      Flow Rate: 5.7L/min @ 0.3 Mpa |
| Remarks              | Included 650mm M10*G1/2 SS Hose 2pcs                                       |

