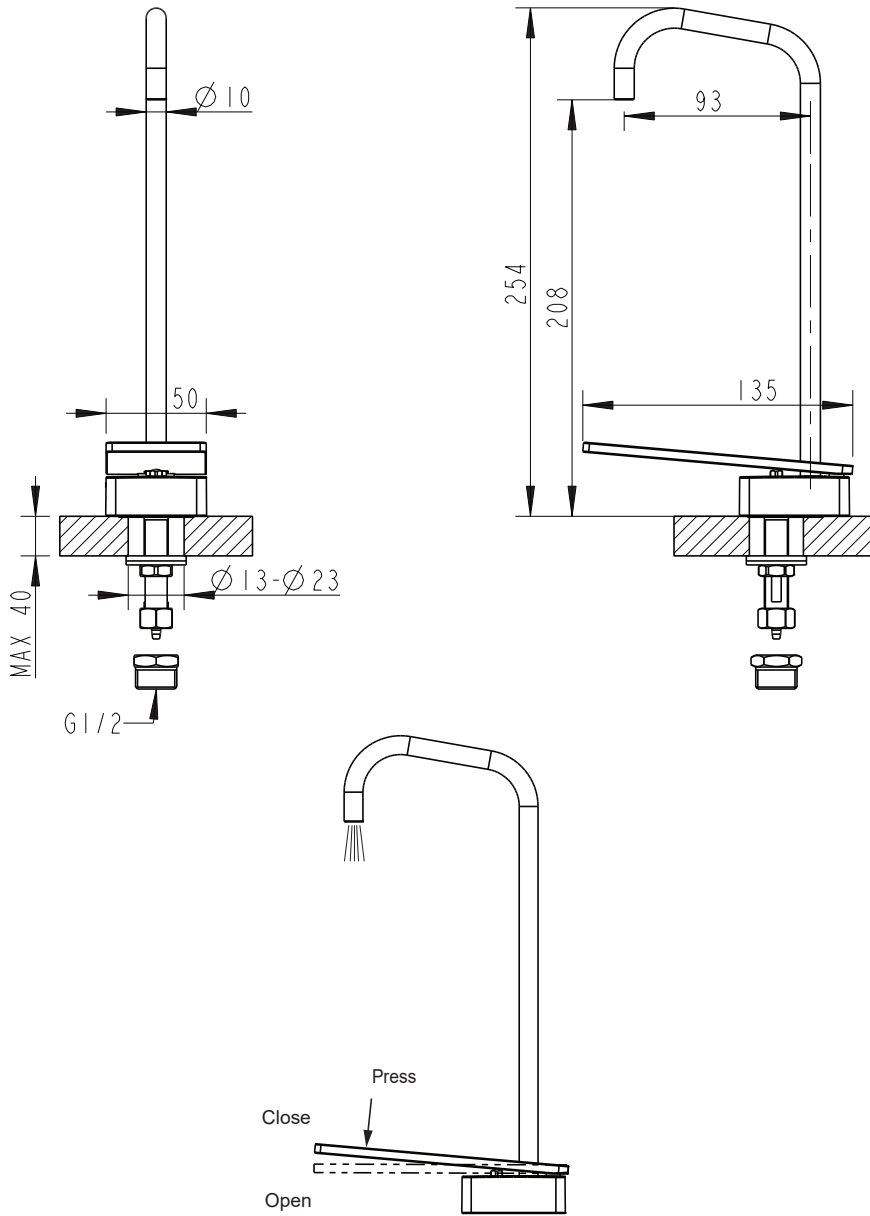


(Rough-in Dimensions):
(Unit): mm



Item No.	F1135235PD-1 / Hand-free Cup Filler
Available Color	Chrome+Brushed
Materials	Brass
	Gift package

