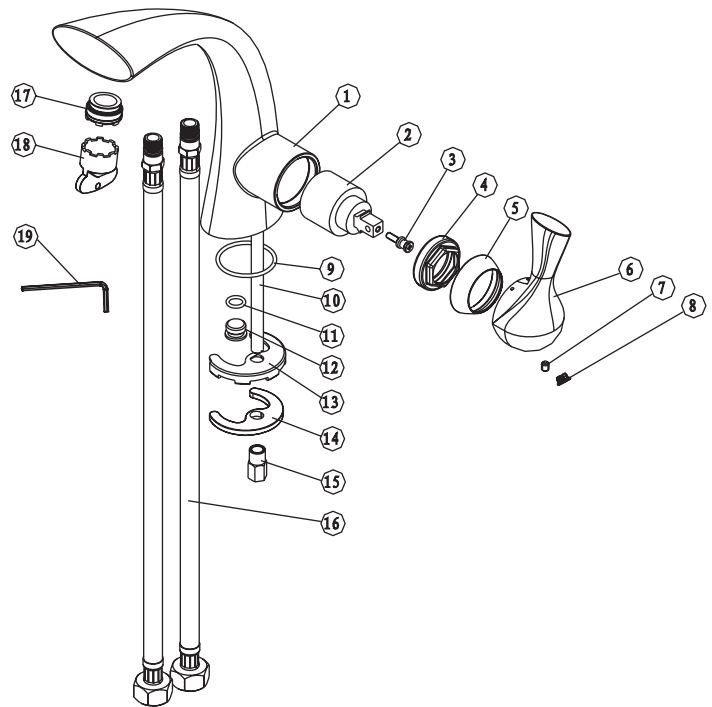


PRODUCTS INSTALLATION INSTRUCTIONS

Model: F14691C/F14691NE
Description: Single Lever Lavatory Faucet

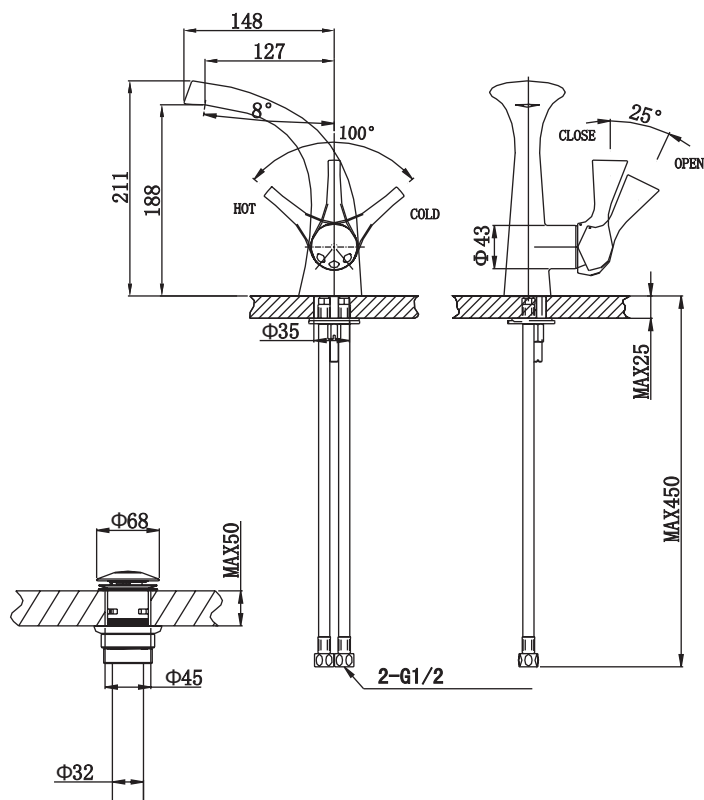
1	Valve Body	1
2	35 Cartridge	1
3	M4 Screw	1
4	Cartridge Nut	1
5	Dome	1
6	Handle	1
7	Socket Head Screw	1
8	Button	1
9	O-ring	1
10	Mounting Stud	1
11	O-ring	1
12	Connector	1
13	Rubber Washer	1
14	Retaining Plate	1
15	Nut	1
16	Supply Hose	2
17	Aerator	1
18	Special Wrench	1
19	Hexagon Wrench	1



A

INSTALLATION DIMENSIONS

Unit:mm



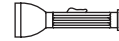
B

HELPFUL TOOLS

Adjustable Wrench



Flashlight

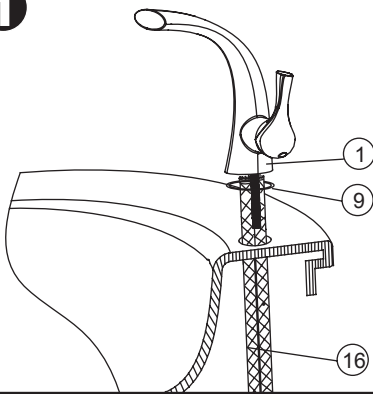


Points for attention before installation

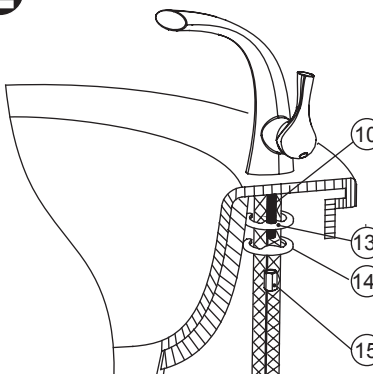
- Before installing the new mixer, it is essential that you thoroughly flush through the supply pipes in order to remove any remaining swarf, solder or other impurities. Failure to carry out this simple procedure could cause problems or damage to the workings of the mixer.
- Work water pressure: Min.0.5kgf/cm²/ Max. 5kgf/cm². (Including cold and hot)
- If the pictures and statements in the 'Installation Specifications' is unconfirmed with practicality, please take practicality as standard.

C

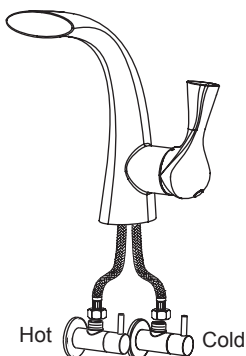
FAUCET INSTALLATION STEP

1

1. Supply Hose (16) through the center hole and O-Ring (9) first, Then install the Valve Body (1) .

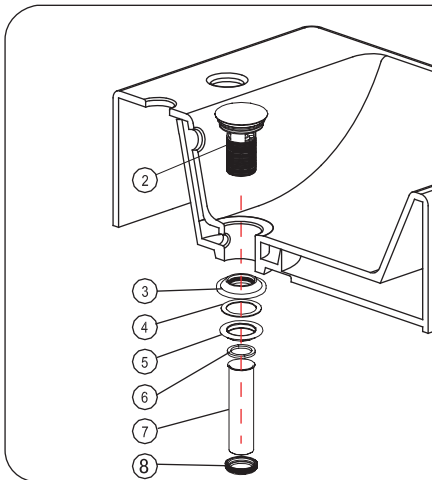
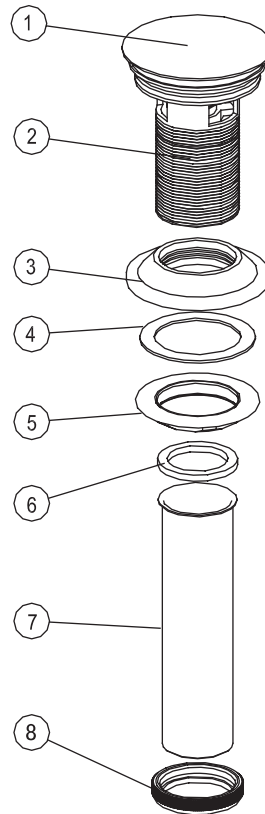
2

2. Assemble Rubber Washer (13) , Retaining Plate (14) onto Mounting Stud (10) from Underside of basin, tighten Nut (15) .
(NOTE: DON'T OVER TIGHTEN NUT TO PREVENT DAMAGE OR CRACK OF PRODUCT)

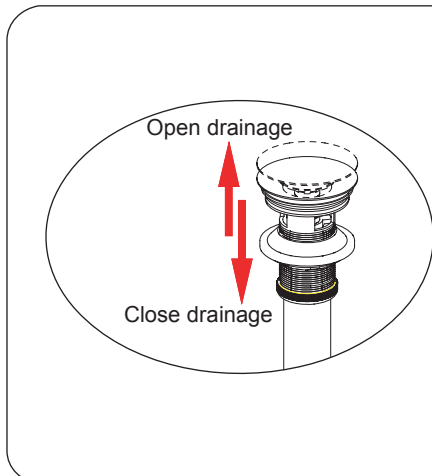
3

3. Connect Supply Hose to Cold Valves and Hot Valves. Turn on Water Supplies and check all connections for leaks.
(Cold Valves and Hot Valves are self-prepared.)

1	Drain plug	1
2	Drain body	1
3	Gasket	1
4	Rubber washer	1
5	Mounting nut	1
6	Rubber washer	1
7	Liner	1
8	Mounting nut	1



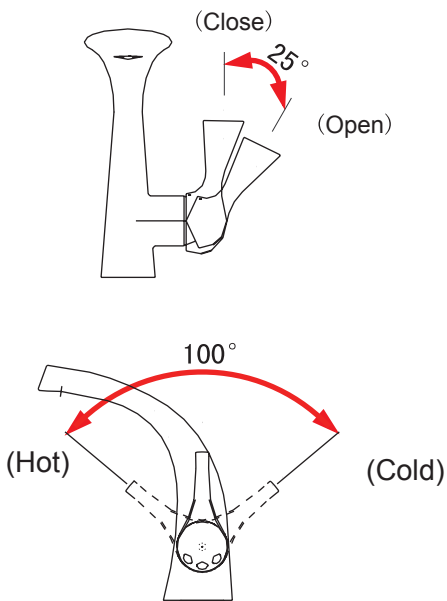
1. Disassemble Nut(8), Rubber Washer(4) and Gasket(3).
 2. Insert Drain Body into basin mounting hole.
 3. Assemble Gasket(3), Rubber Washer(4) and Nut(5) onto Drain Body from underside, tighten Nut.
 4. The sealing Rubber Washer(6), liner(7) set into The nut(8), tighten Nut.
- (Note: Don't overtighten nut or basin may be crack.)



2. Press down pop-up to close drainage. lift pop-up to open drainage.

E

FAUCET AND POP-UP OPERATION



1. Pull Right Handle to turn on water, and down to turn off.

2. Turn Handle towards side with red mark to adjust hot water volume, and towards side with blue mark to adjust cold water.

F

MAINTENANCE

CAUTION: Always turn water OFF before removing existing or disassembling the faucet. Open faucet handles to relieve water pressure and insure that complete water shut-off has been accomplished.

To keep the surface clean and bright, please clean the faucet regularly, please abide by the following procedures:

1. Use rinsing water and soft cloth, clean bilge and bilge membrane on the surface to the best of the abilities.
2. Cleaned the residua with the following cleansers only.

- Soft liquid cleanser.
 - Colorless glass cleanser, totally soluble powder cleanser without abrasive capability. (Mixed by instructions.)
 - No abrasive cleansers waxes
 - Never use cleanser, emery cloth or handkerchief which can rub.
 - Never use cleaners containing abrasive cleansers, ammonia, bleach, acids, waxes, alcohol, solvents or other products not recommended for chrome.
3. After cleaning, use rinsing water to clean all cleanser immediately and drying with a soft cotton cloth.
 4. Carefully dismantle the aerator regularly, rinse under clean running water until any loose debris is cleared to avoid the influence to water outflow.