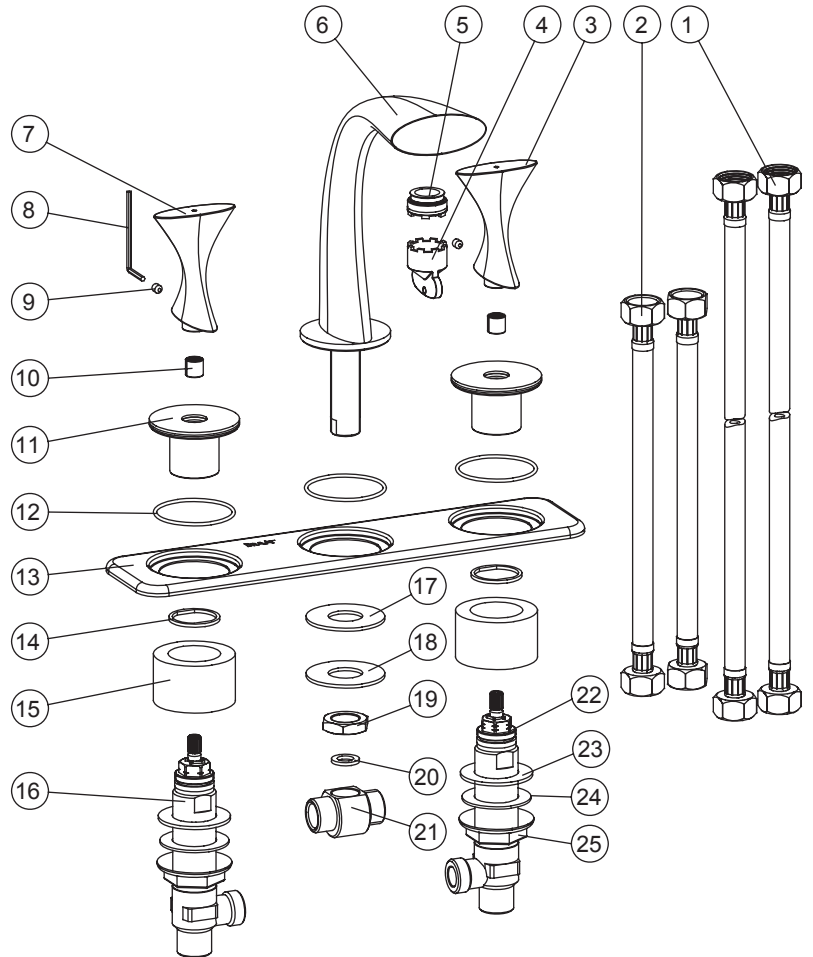


## PRODUCTS INSTALLATION INSTRUCTIONS

Model: F24691C/F24691NE  
Description: Widespread Lavatory Faucet

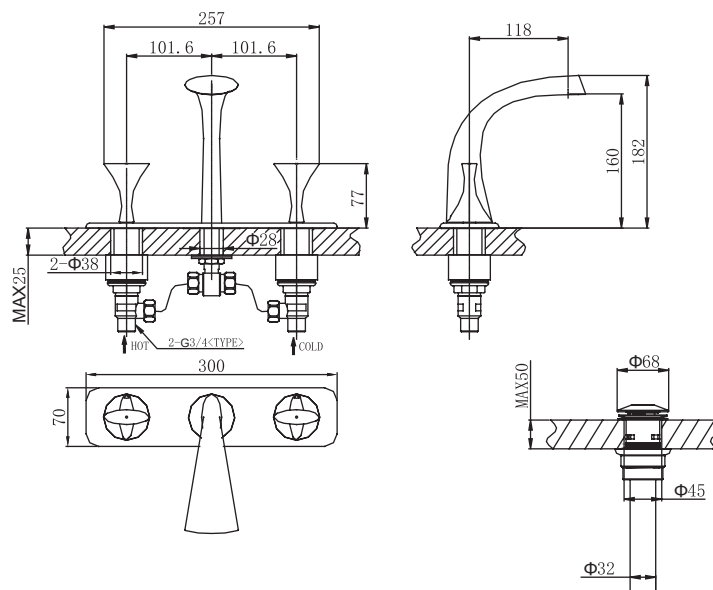
1	Supply Hose	2
2	Supply Hose	2
3	Handle <COLD>	1
4	Special Wrench	1
5	Aerator	1
6	Spout	1
7	Handle <HOT>	1
8	Hexagon Wrench	1
9	Socket Head Screw	2
10	Gear sleeve	2
11	Handle Base	2
12	O-ring	3
13	Panel	1
14	Positioning ring	2
15	Plastic cover	1
16	Side Valve (Hot)	1
17	Rubber Washer	1
18	Flat Washer	1
19	Nut	1
20	Rubber Washer	1
21	Links	1
22	Side Valve (Cold)	1
23	Rubber Washer	1
24	Flat Washer	2
25	Locking nut	2



### INSTALLATION DIMENSIONS

**A**

Unit:mm



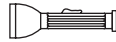
**B**

## HELPFUL TOOLS

Adjustable Wrench



Flashlight



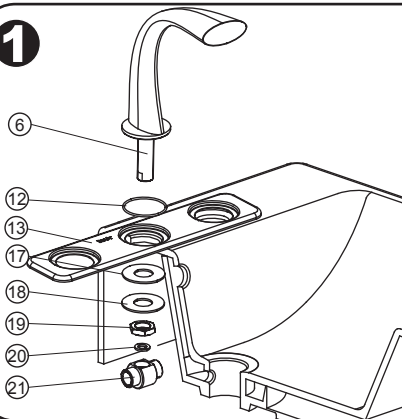
Teflon Tape


 Points for attention before installation

- Before installing the new mixer, it is essential that you thoroughly flush through the supply pipes in order to remove any remaining swarf, solder or other impurities. Failure to carry out this simple procedure could cause problems or damage to the workings of the mixer.
- Work water pressure: Min.0.5kgf/cm<sup>2</sup>/ Max. 5kgf/cm<sup>2</sup>. (Including cold and hot)
- If the pictures and statements in the 'Installation Specifications' is unconfirmed with practicality, please take practicality as standard.

**C**

## FAUCET INSTALLATION STEP

**1**

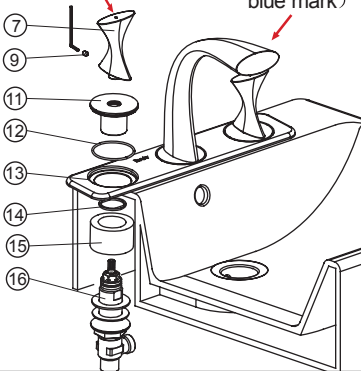
## 1. Spout Assembly

- Feed Nipple (6) into O-Ring (12) and mounting hole, assemble with Rubber Washer (17), Flat Washer (18) from underside of basin, thread on Nut (19) and tighten.
- Insert Rubber Washer (20) into Valve Body (21), then assembly Valve Body (21) to Nipple (6).

**2**

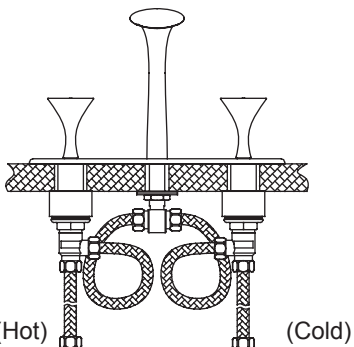
(Handle with red mark)

(Handle with blue mark)



## Install Valve Body and Handle

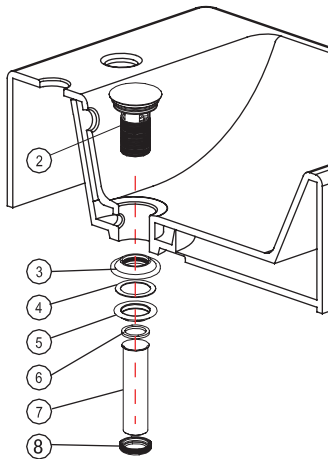
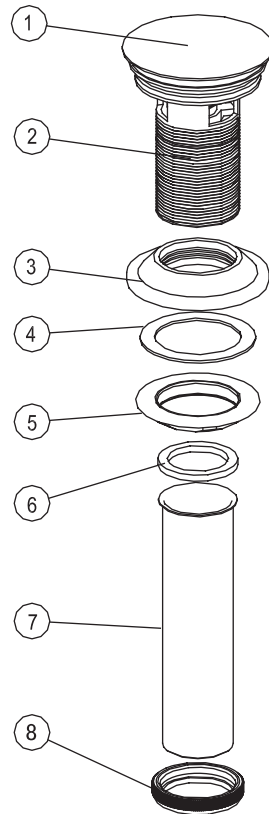
- Install Handle with red mark at left side of spout assembly as viewed from the front. Steps are as follows:
  - Insert Handle Base (11) through O-Ring (12) through center hole of tub deck.
  - Positioning ring (14) and Plastic cover (15) will turn into Side Valve (16), and screwed Handle Base (11).
  - Press Side Valve (16) into Handle (7), and lock to Handle (7) by Socket Head Screw (9).
  - Turn Side Valve (16) to adjust Handle (7) to appropriate position, tighten nut on Side Valve.
- Repeat same steps to install Handle with blue mark at right side of spout assembly.

**3**

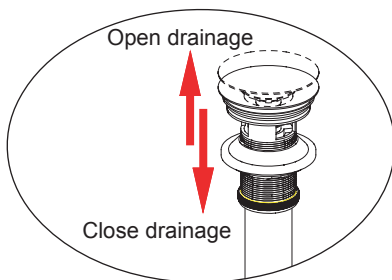
## 3. Supply Hose Assembly

As illustration, connect Supply Hose Hot to left side of spout and Cold to right. Turn on Water Supplies and check all connection for leaks.

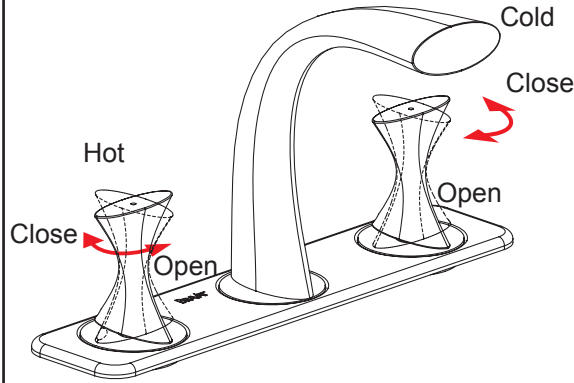
1	Drain plug	1
2	Drain body	1
3	Gasket	1
4	Rubber washer	1
5	Mounting nut	1
6	Rubber washer	1
7	Liner	1
8	Mounting nut	1



1. Disassemble Nut(8), Rubber Washer(4) and Gasket(3).
2. Insert Drain Body into basin mounting hole.
3. Assemble Gasket(3), Rubber Washer(4) and Nut(5) onto Drain Body from underside, tighten Nut.
4. The sealing Rubber Washer(6), liner(7) set into The nut(8), tighten Nut.  
(Note: Don't overtighten nut or basin may be crack.)



2. Press down pop-up to close drainage. lift pop-up to open drainage.

**E****FAUCET AND POP-UP OPERATION**

1. Handle with red mark on the left controls hot water. Turn it counterclockwise 90 ° to turn on hot water, then turn clockwise 90 ° back to turn off hot water. Handle with blue mark on the right controls cold water. Turn it clockwise 90° to turn on cold water, then turn it counterclockwise 90 ° to turn off cold water.

**F****MAINTENANCE**

**CAUTION:** Always turn water OFF before removing existing or disassembling the faucet. Open faucet handles to relieve water pressure and insure that complete water shut-off has been accomplished.

To keep the surface clean and bright, please clean the faucet regularly, please abide by the following procedures:

1. Use rinsing water and soft cloth, clean bilge and bilge membrane on the surface to the best of the abilities.
2. Cleaned the residua with the following cleansers only.
  - Soft liquid cleanser.
  - Colorless glass cleanser, totally soluble powder cleanser without abrasive capability.(Mixed by instructions.)
  - No abrasive cleansers waxes
  - Never use cleanser, emery cloth or handkerchief which can rub.
  - Never use cleaners containing abrasive cleansers, ammonia, bleach, acids, waxes, alcohol, solvents or other products not recommended for chrome.
3. After cleaning, use rinsing water to clean all cleanser immediately and drying with a soft cotton cloth.
4. Carefully dismantle the aerator regularly, rinse under clean running water until any loose debris is cleared to avoid the influence to water outflow.