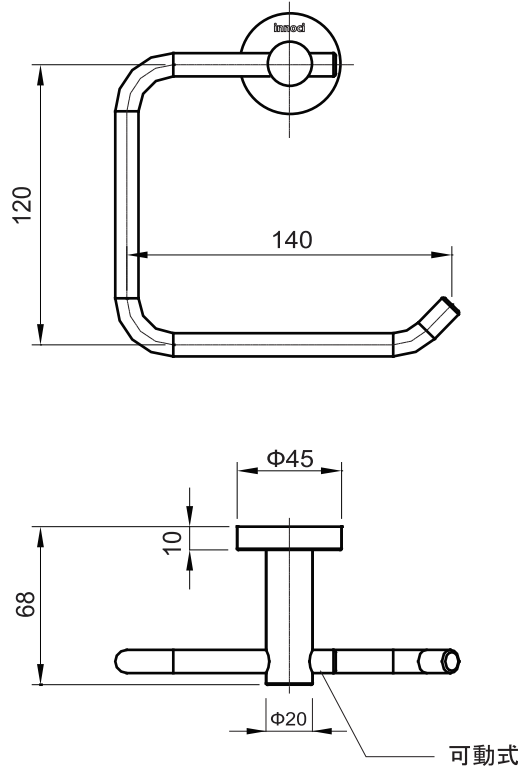


(Rough-in Dimensions):
(Unit): mm



Item No.	ND7208G
Available Color	ゴールド
Materials	Brass
Remarks: With install screw set. ホルダー部可動式	

20200427/PI 201912025rev2 20200624/PI 201912025rev2

